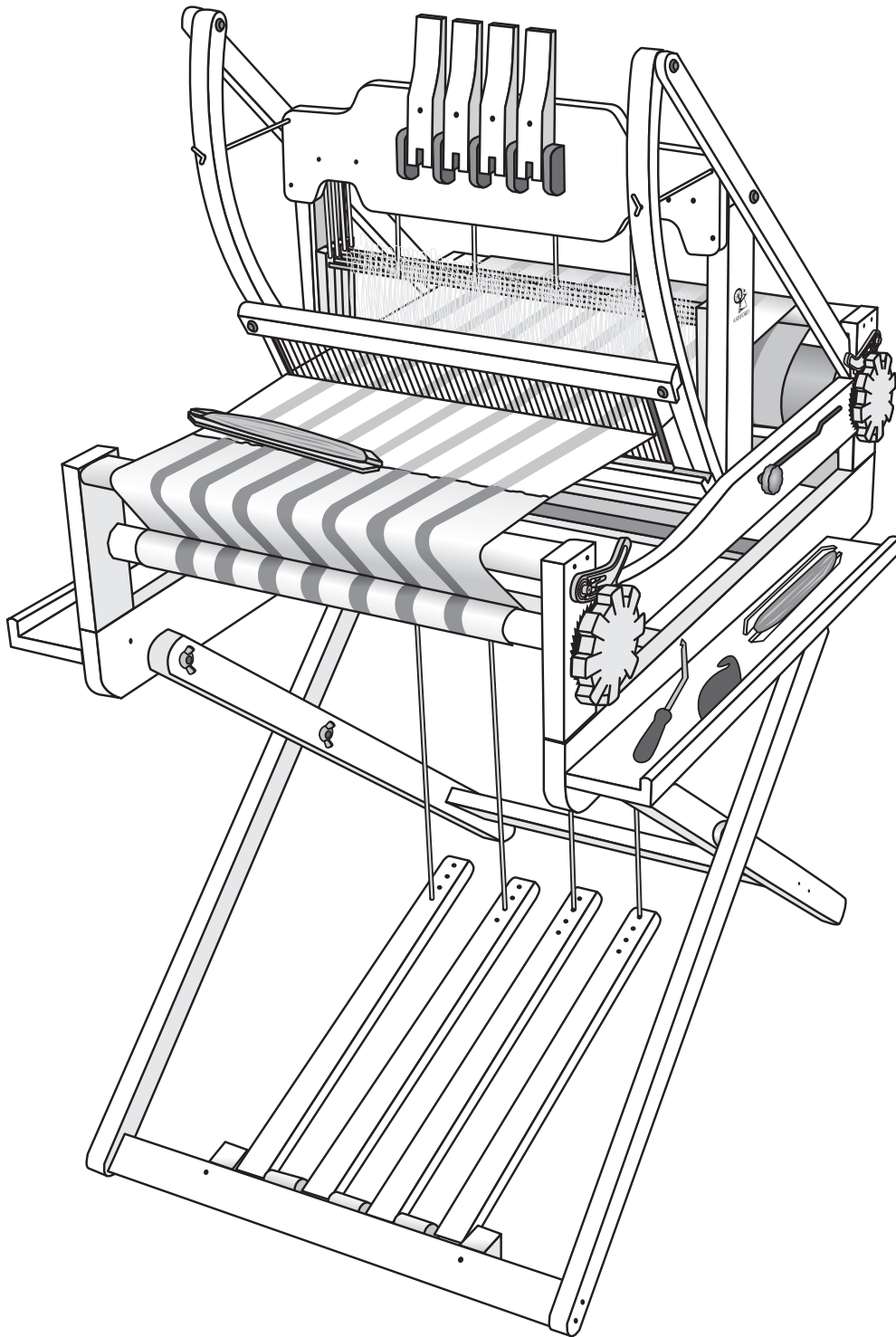
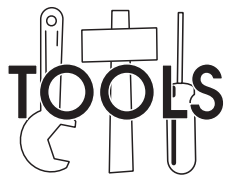


## LOOM STAND TREADLE KIT

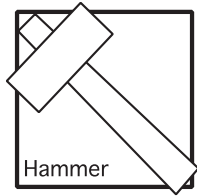
400mm (16ins) 600mm (24ins) and 800mm (32ins)



LSTK120215V07



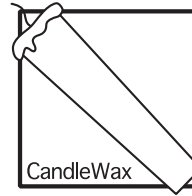
TOOLS



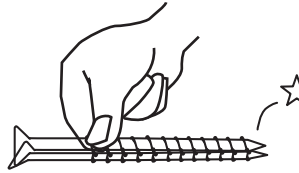
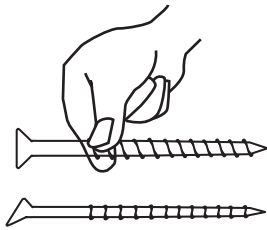
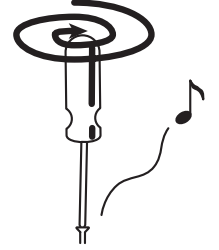
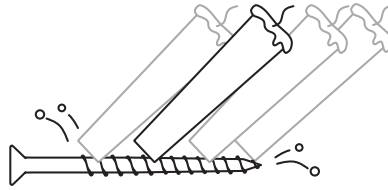
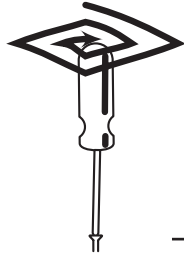
Hammer



Screwdriver

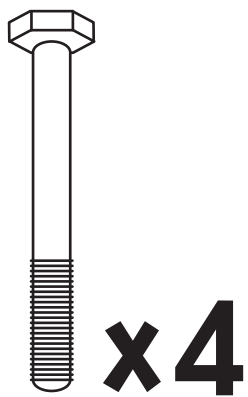
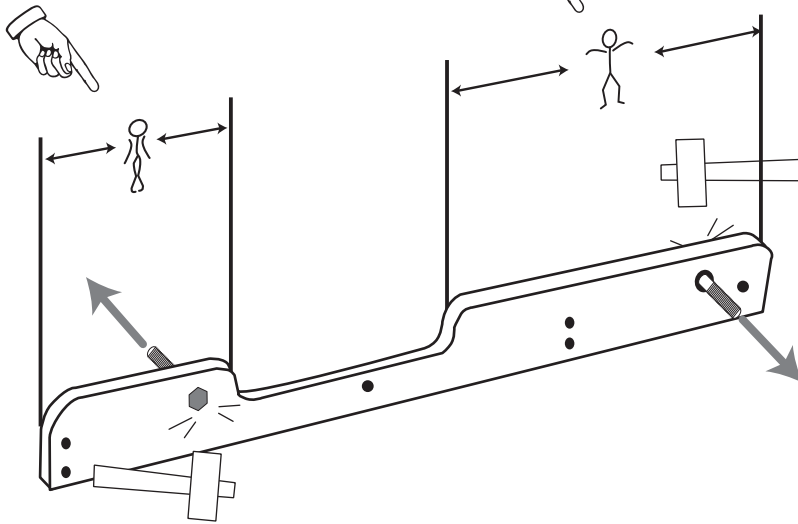


CandleWax



1

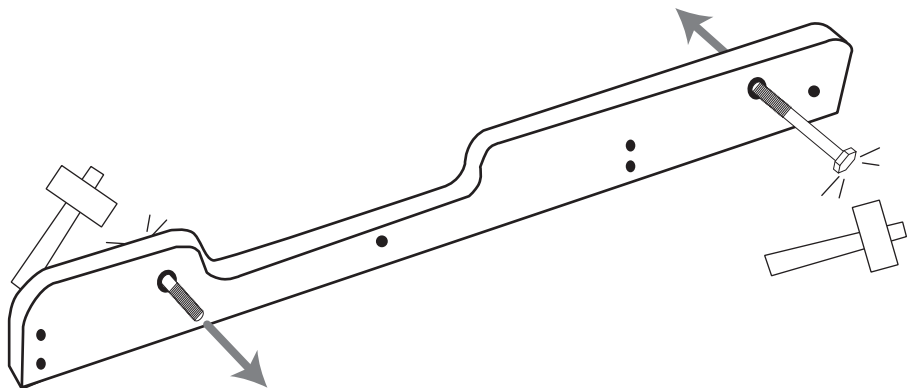
!Check



x4



Hammer

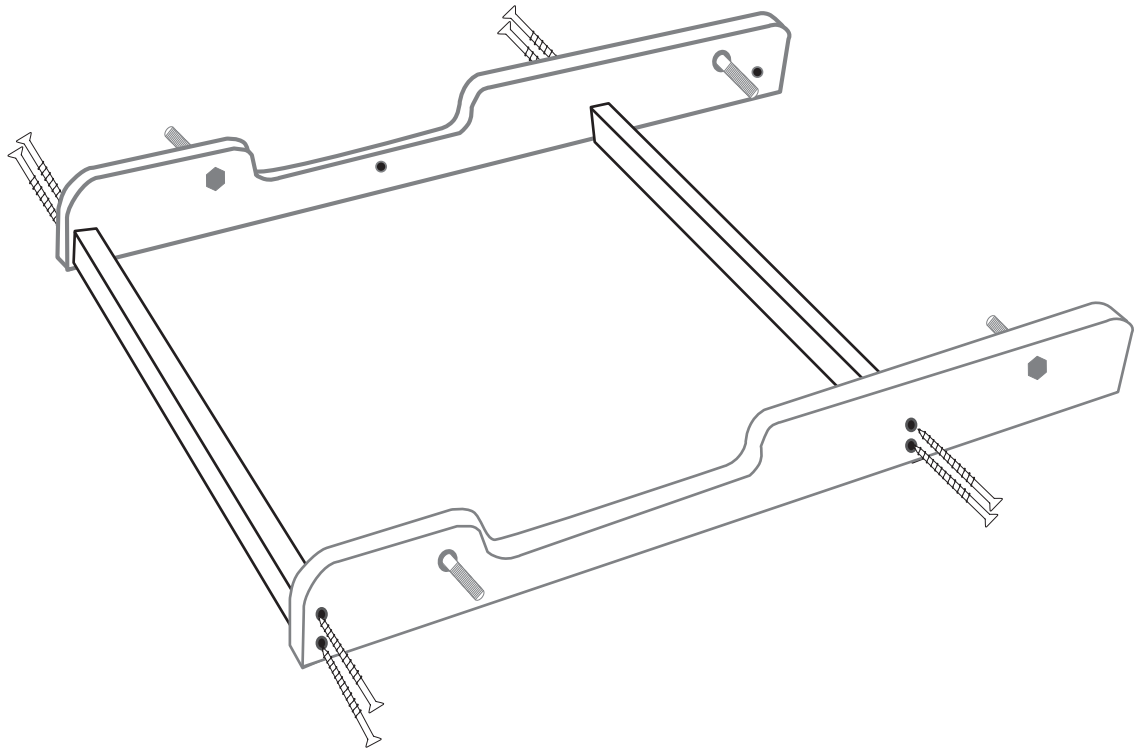


2

!Check



x8

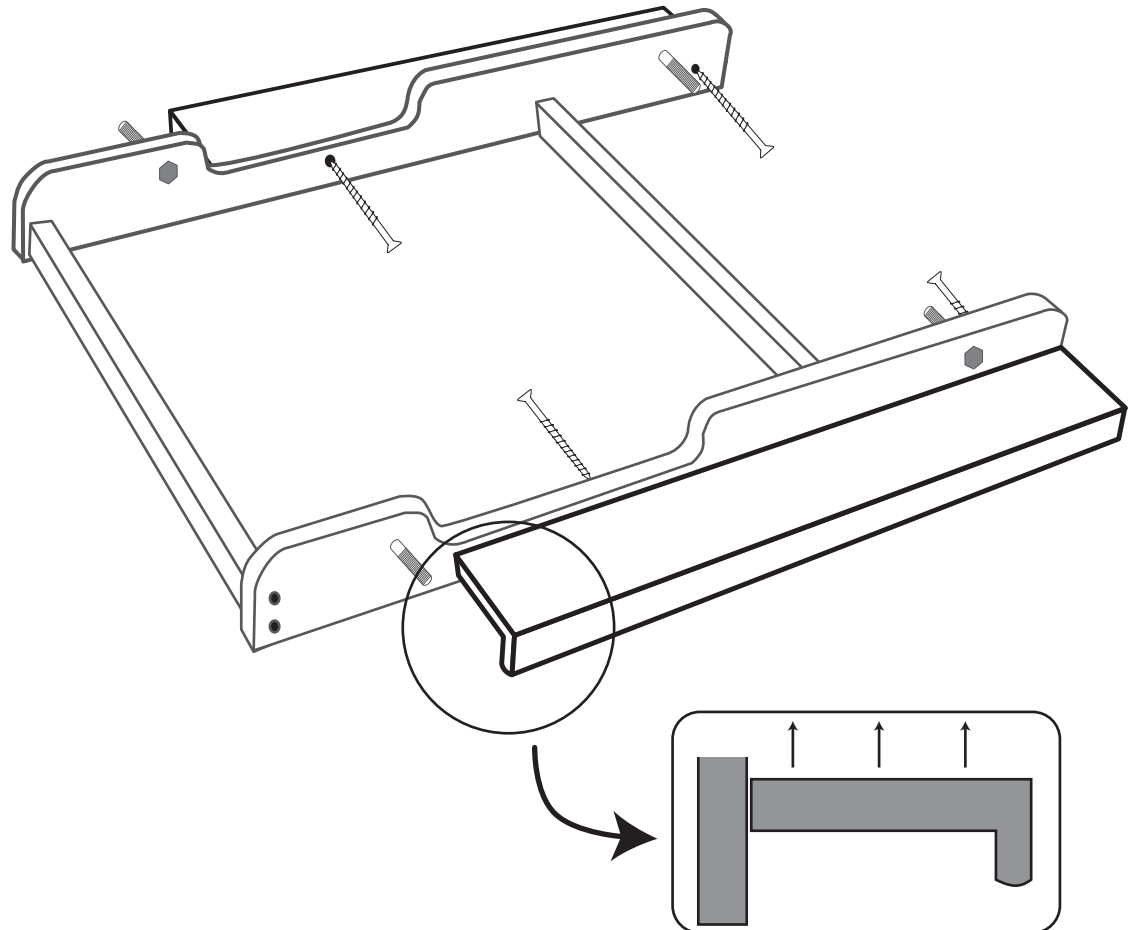


3

!Check



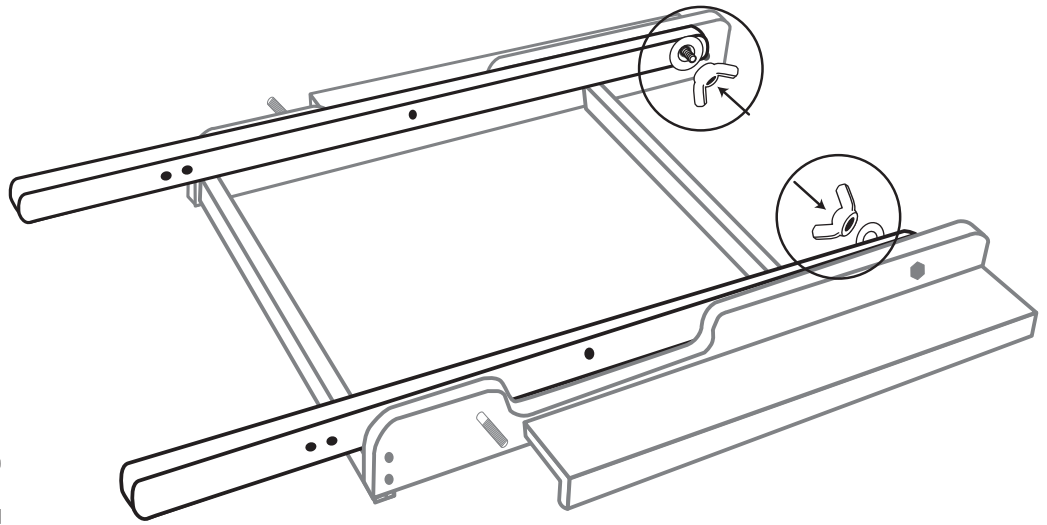
x4



④

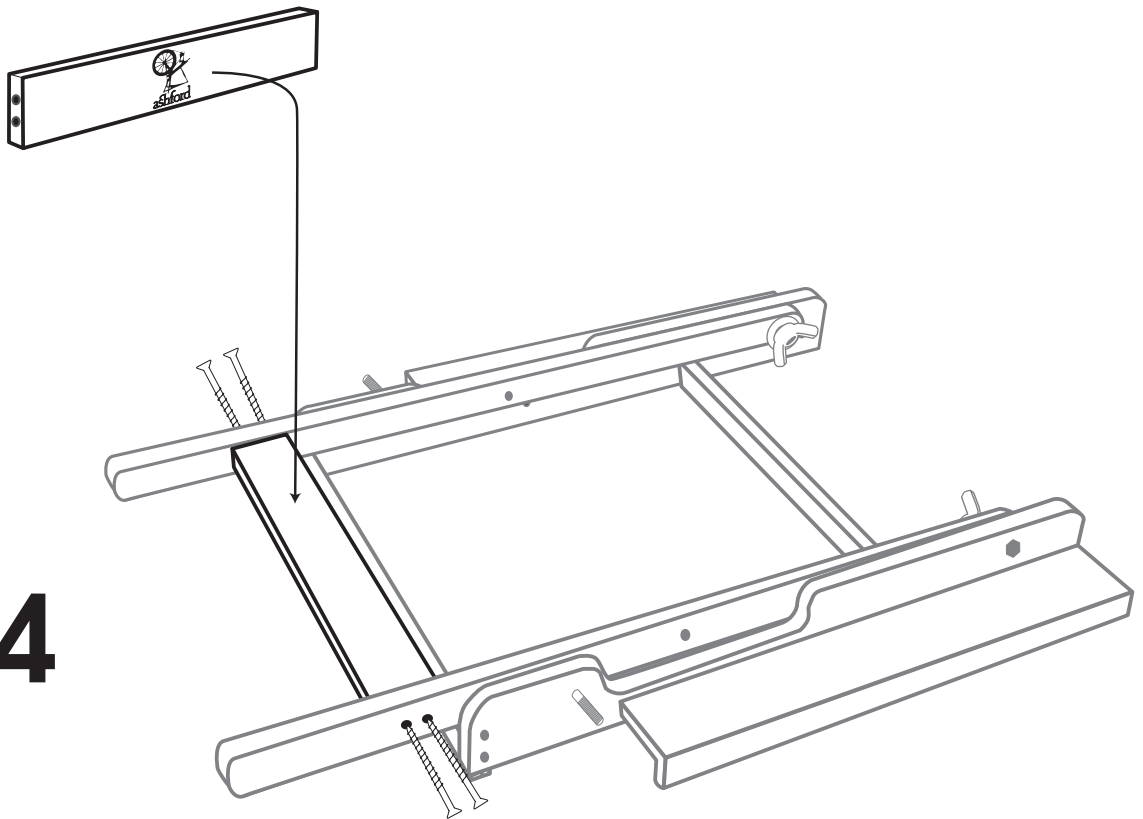
○ x 2

∩ x 2

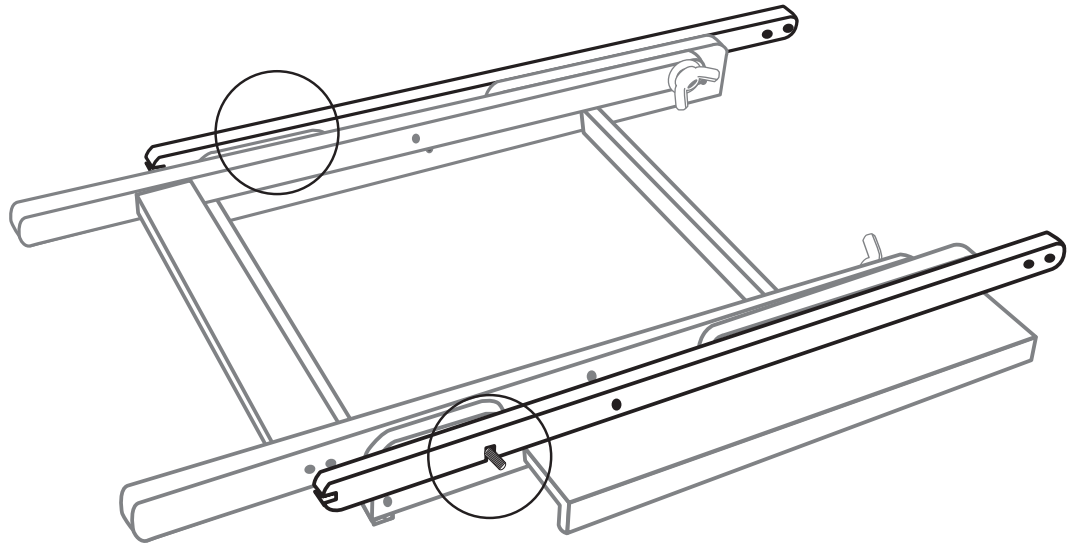


⑤

⌘ x 4



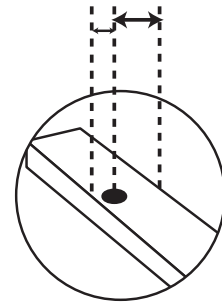
6



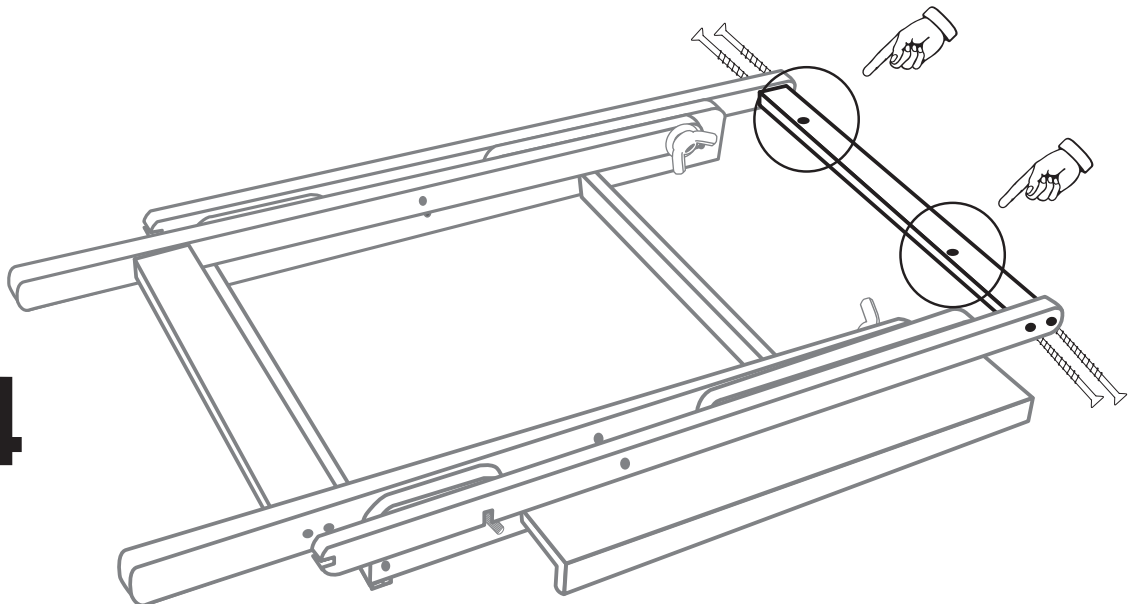
7

Note: The countersunk is underneath

!Check

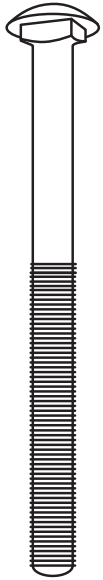
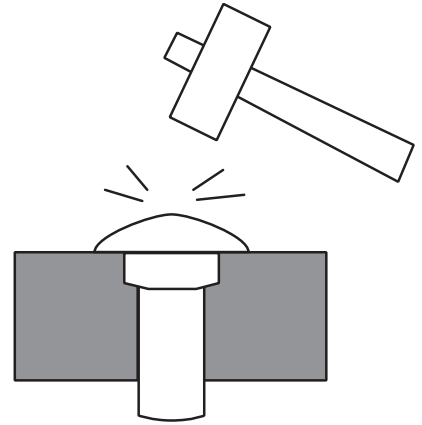
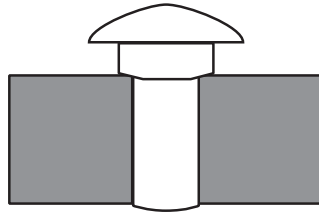


x 4

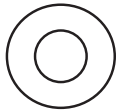


8

!Check



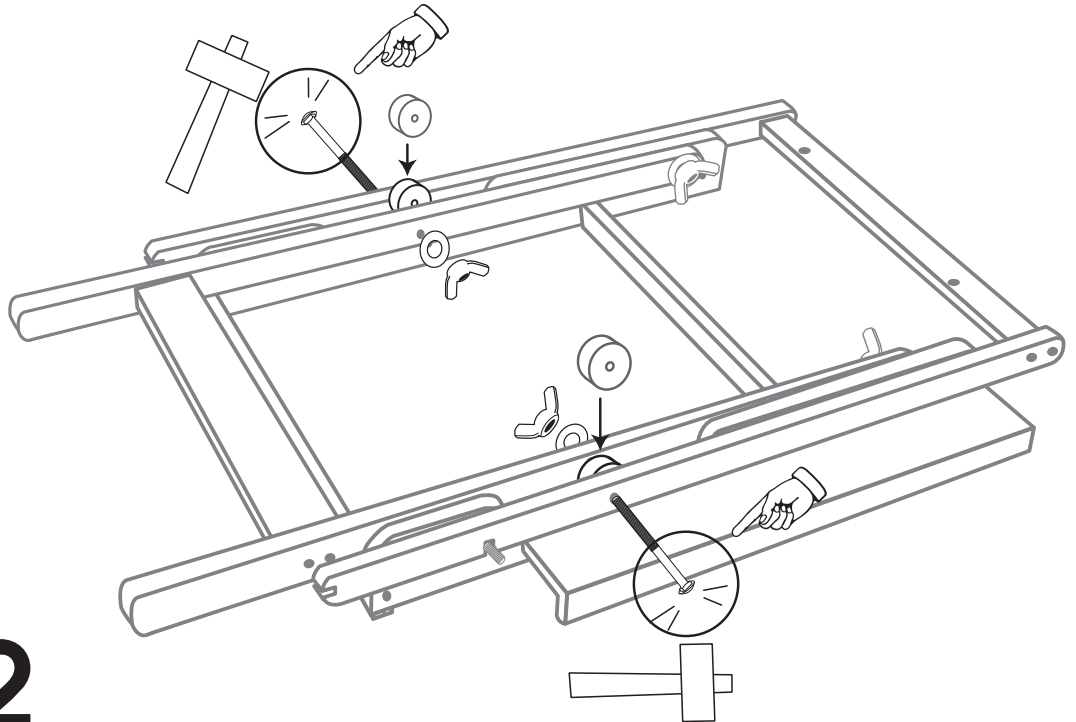
x 2



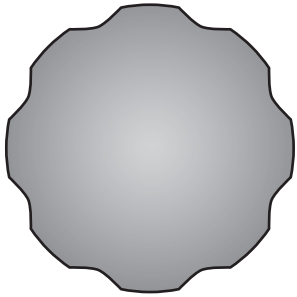
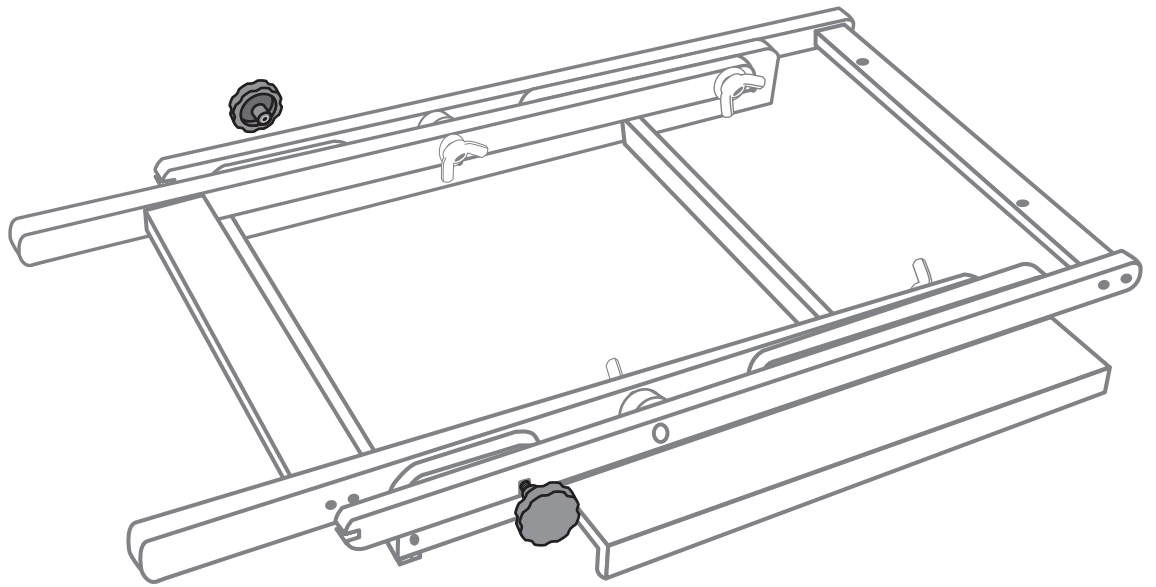
x 2



x 2

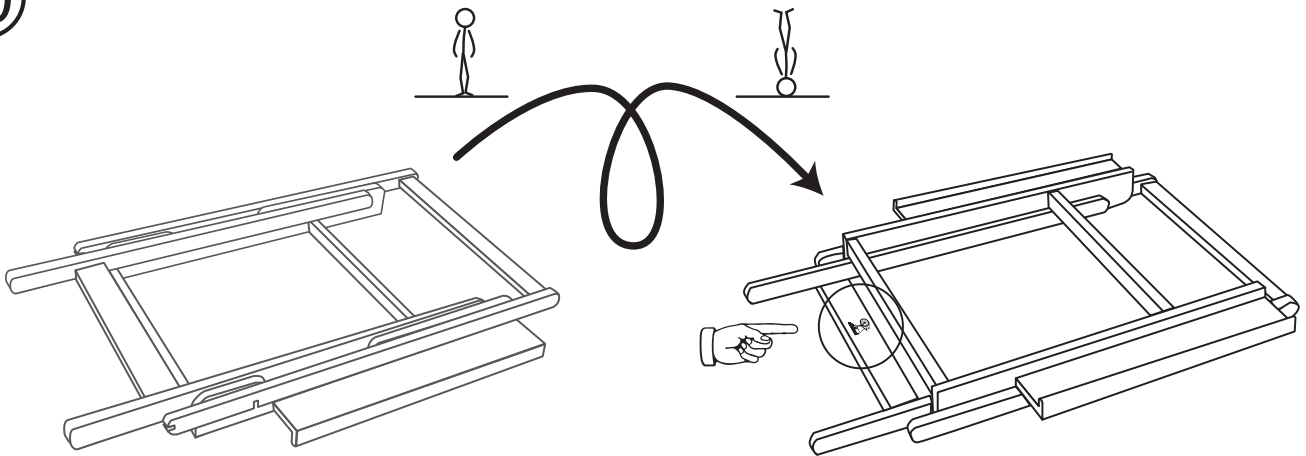


9



x 2

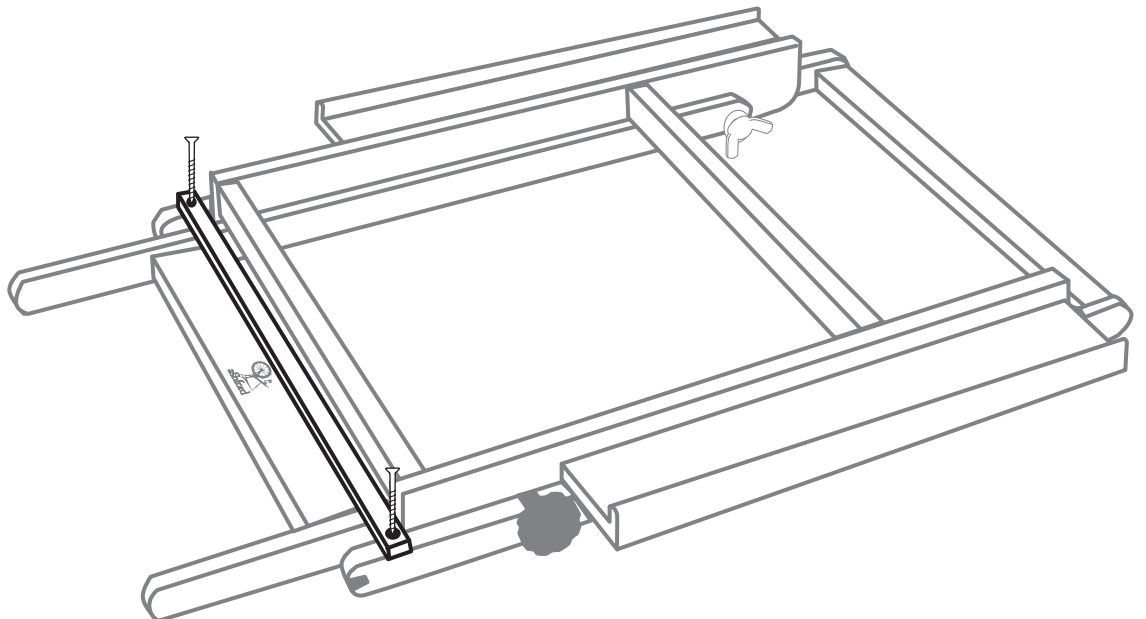
10



11

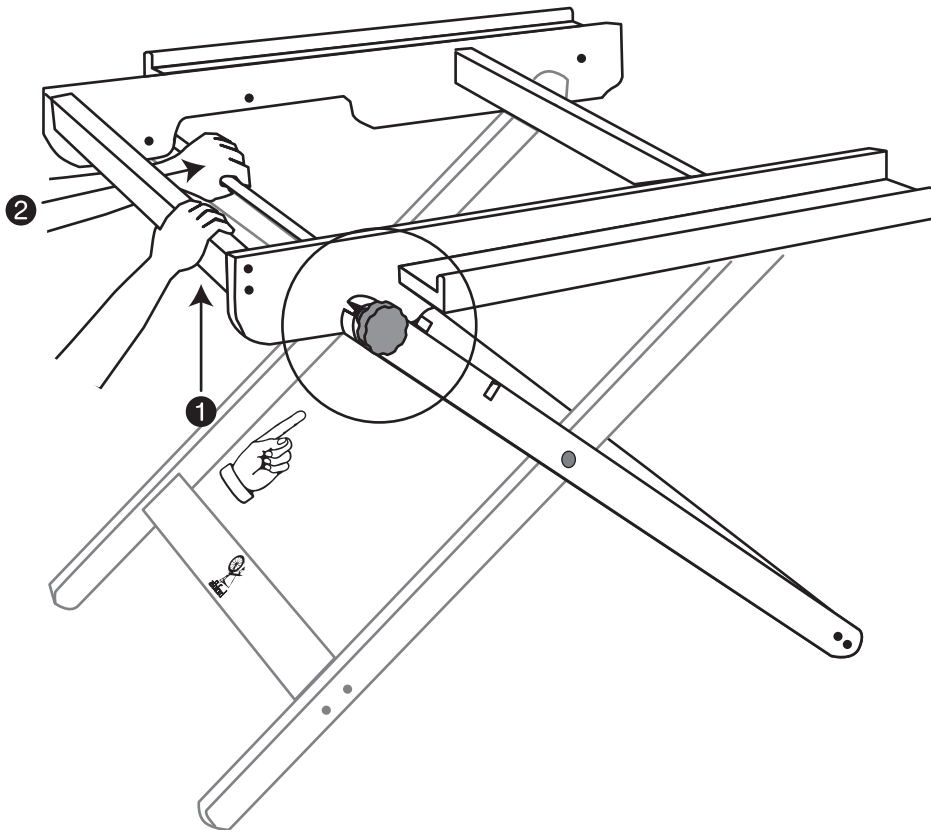
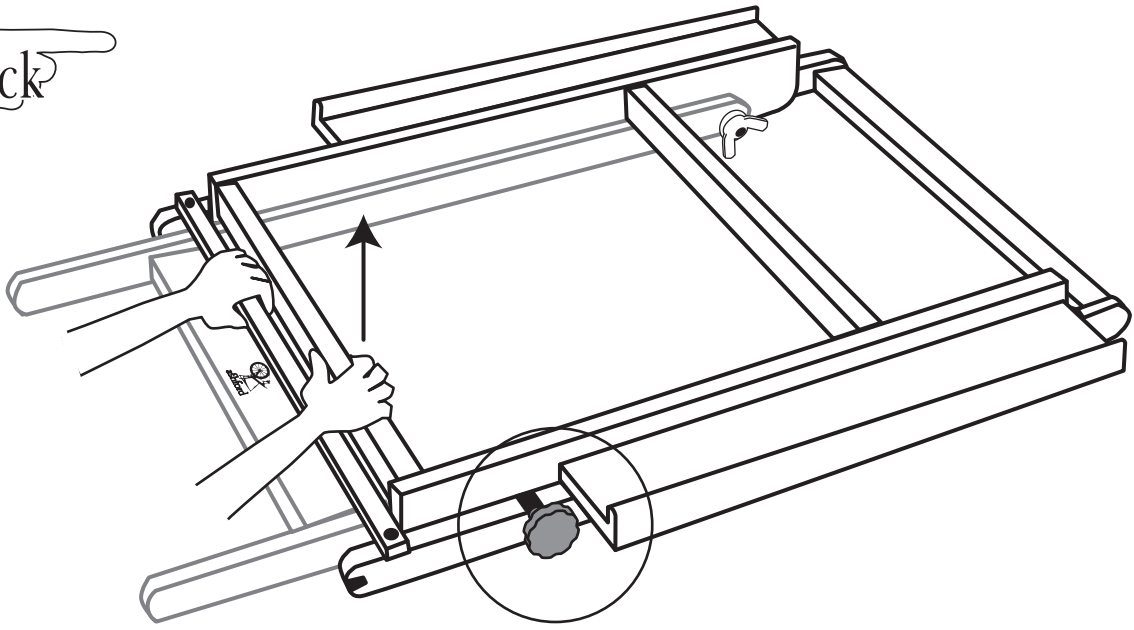


x 2



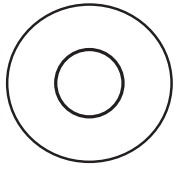
12

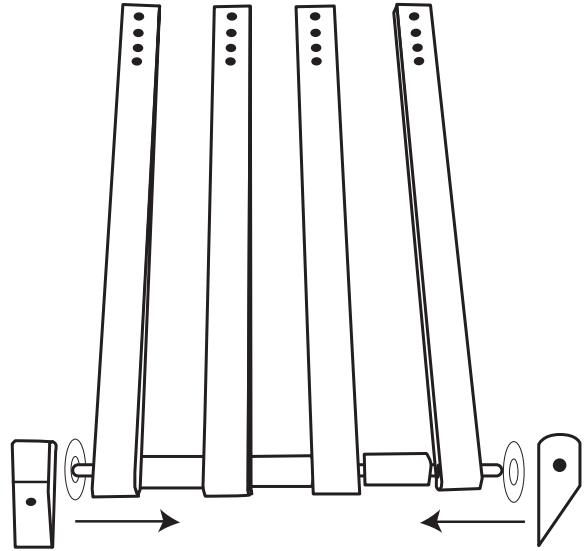
!Check






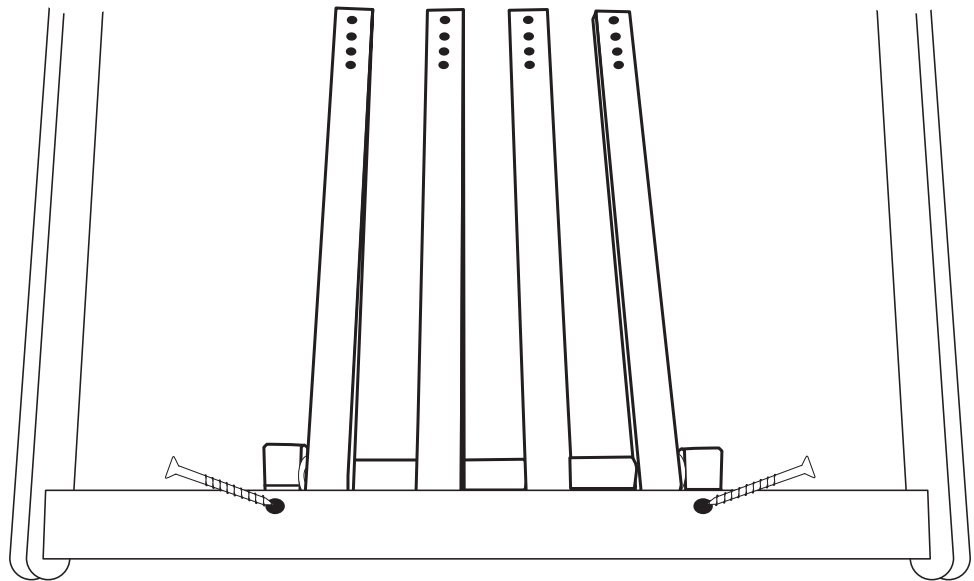
13

 **x 2**



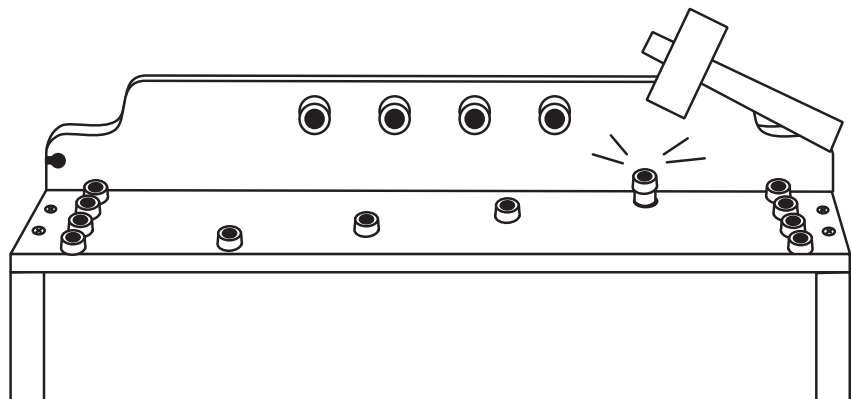
14

 **x 2**



15

 **x 4**

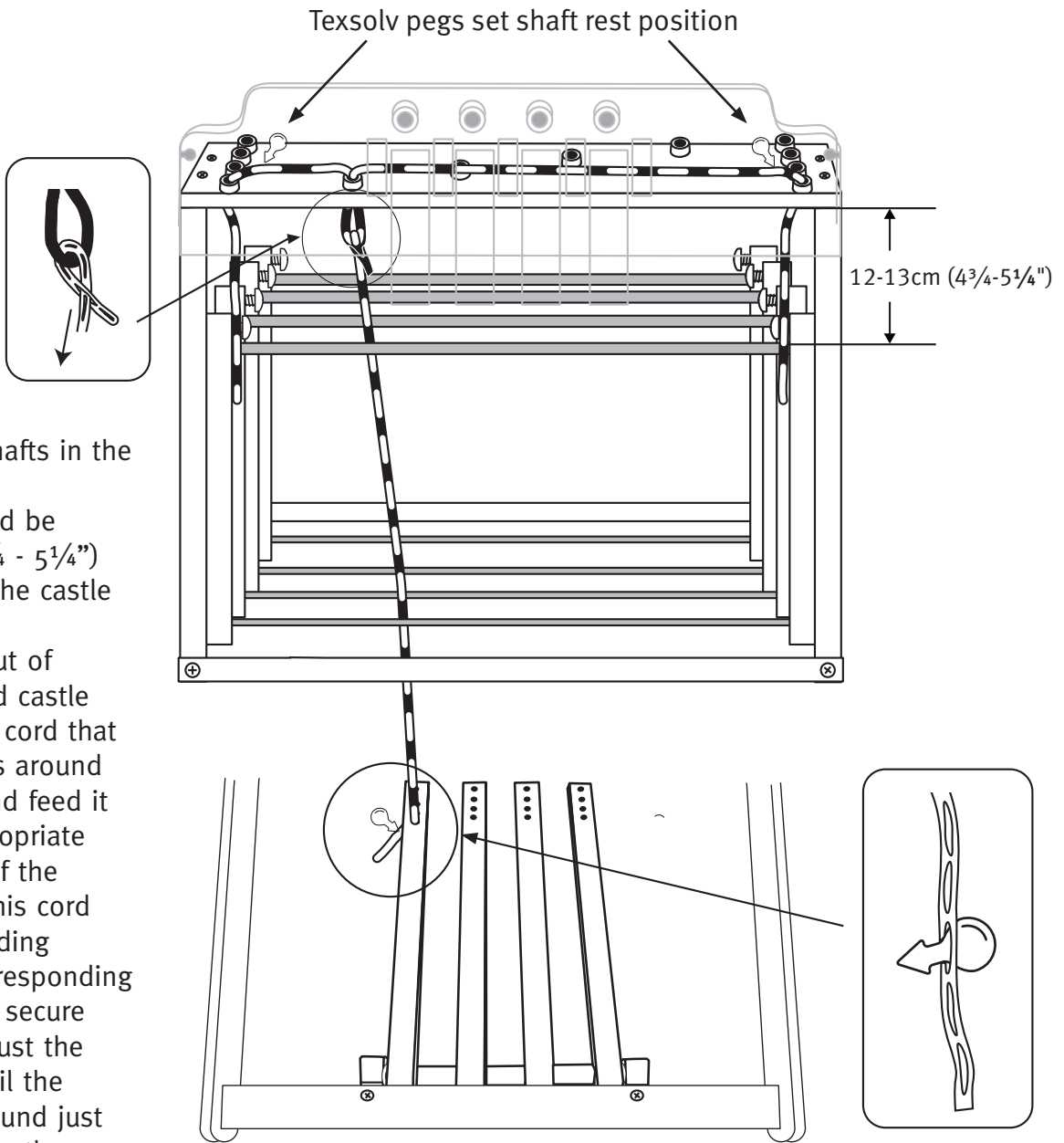


16

Move the levers into the up position on the 4 shaft or the 4 right hand levers on the 8 shaft. Insert Texsolv pegs through the Texsolv cord beside the cord guide as illustrated. These pegs set the height of the shafts in the rest position.

NOTE: The shafts should be between 12 - 13cm (4<sup>3</sup>/<sub>4</sub> - 5<sup>1</sup>/<sub>4</sub>" ) from the underside of the castle top.

Pull the Texsolv cord out of the out of the lever and castle front. Loop the Texsolv cord that attaches to the treadles around the top Texsolv cord and feed it down through the appropriate cord guide in the top of the castle top. Then feed this cord between the corresponding shafts, through the corresponding hole in the treadle and secure with a Texsolv peg. Adjust the position of the peg until the treadle touches the ground just before the shaft touches the underside of the castle top.



Full size hardware for Loom Stand Treadle Kit

