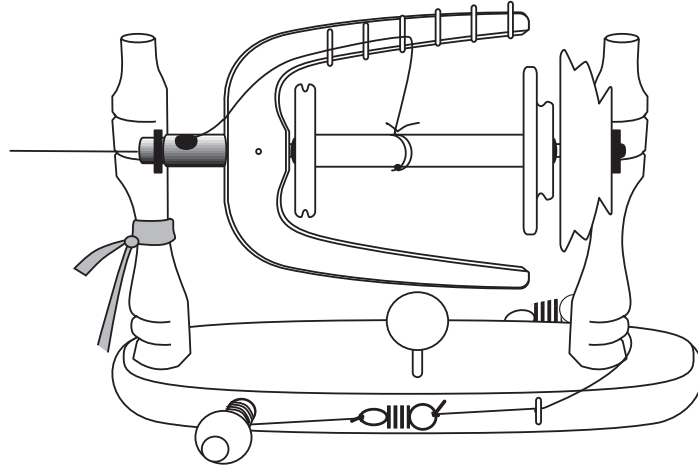
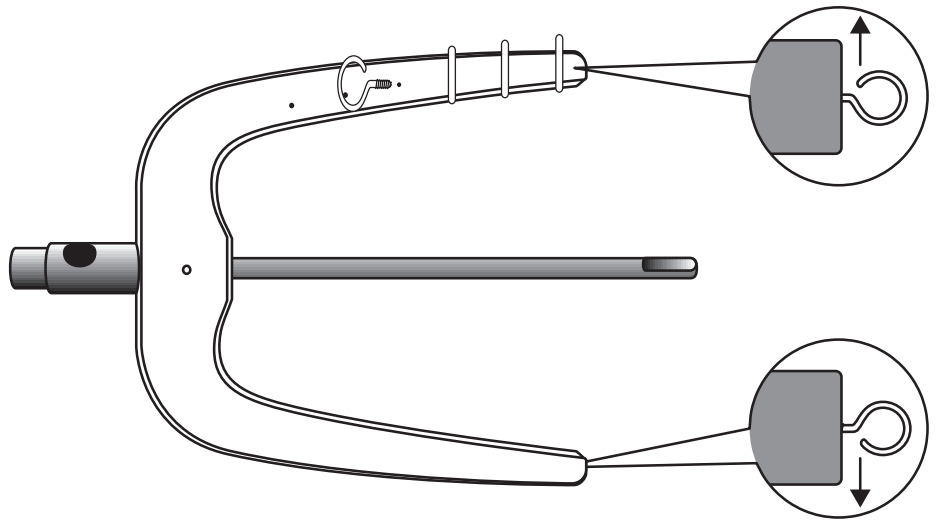
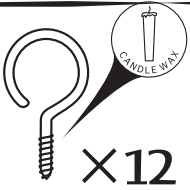
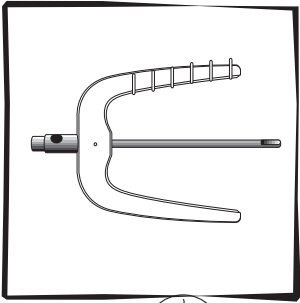


DOUBLE DRIVE FLYER UNIT

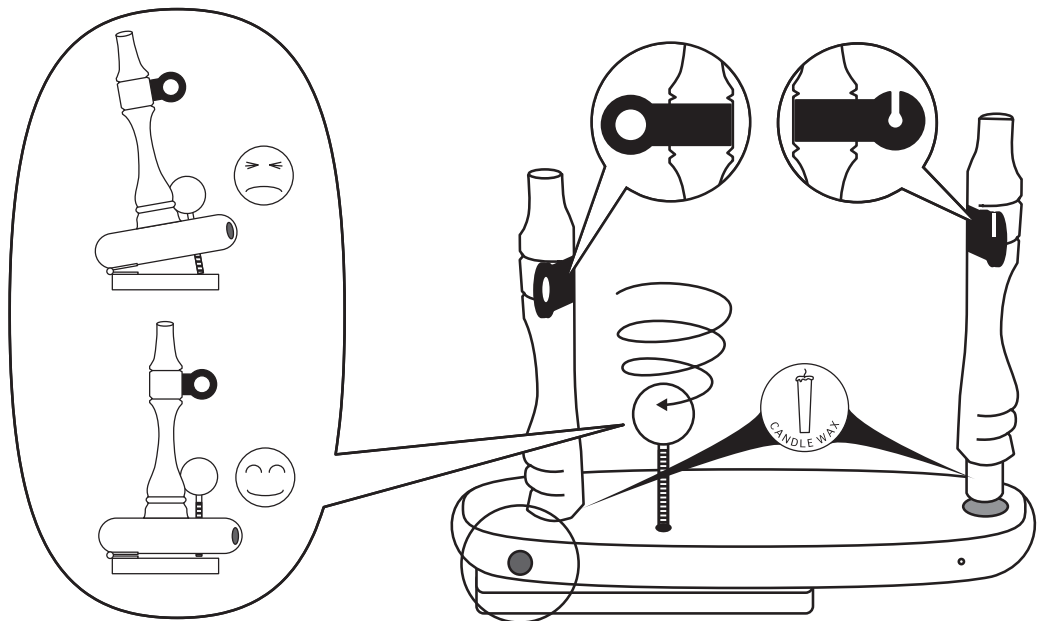
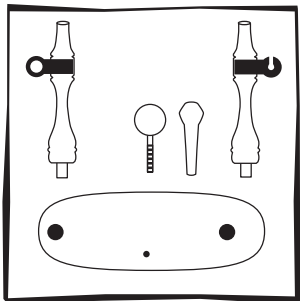


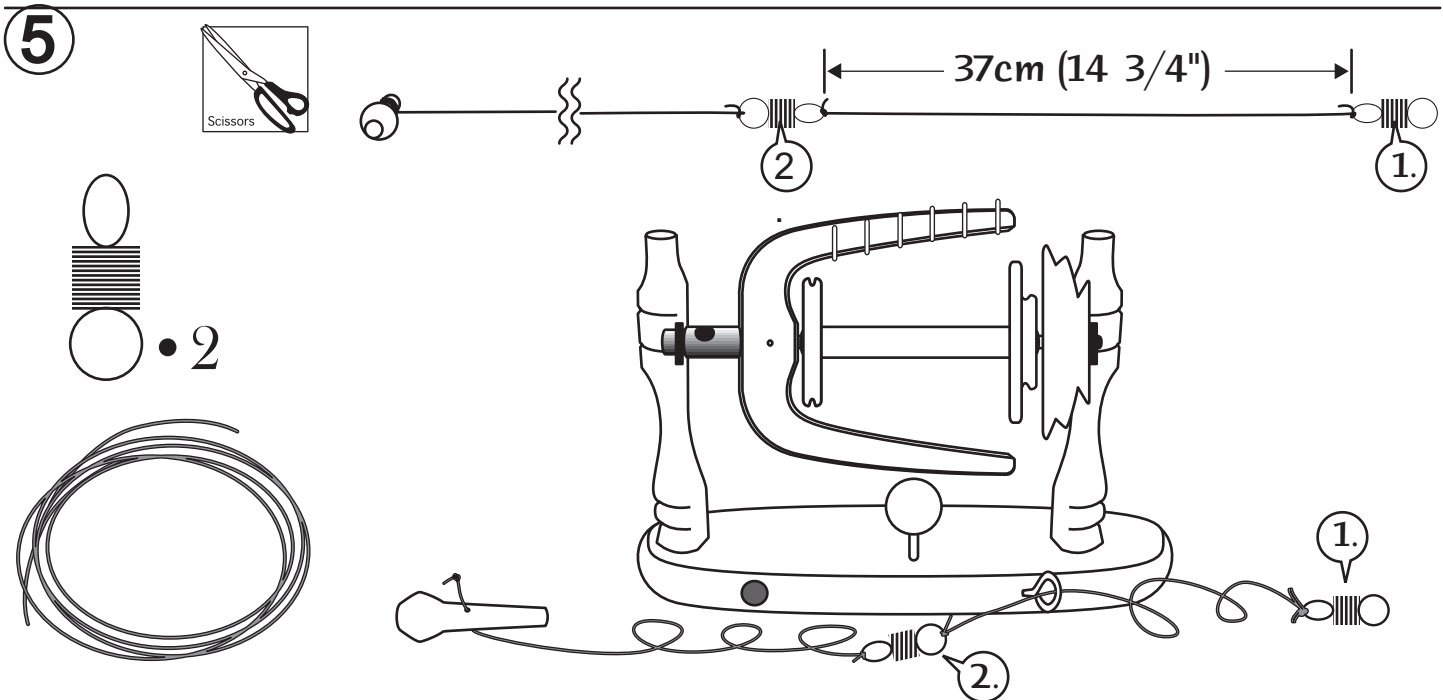
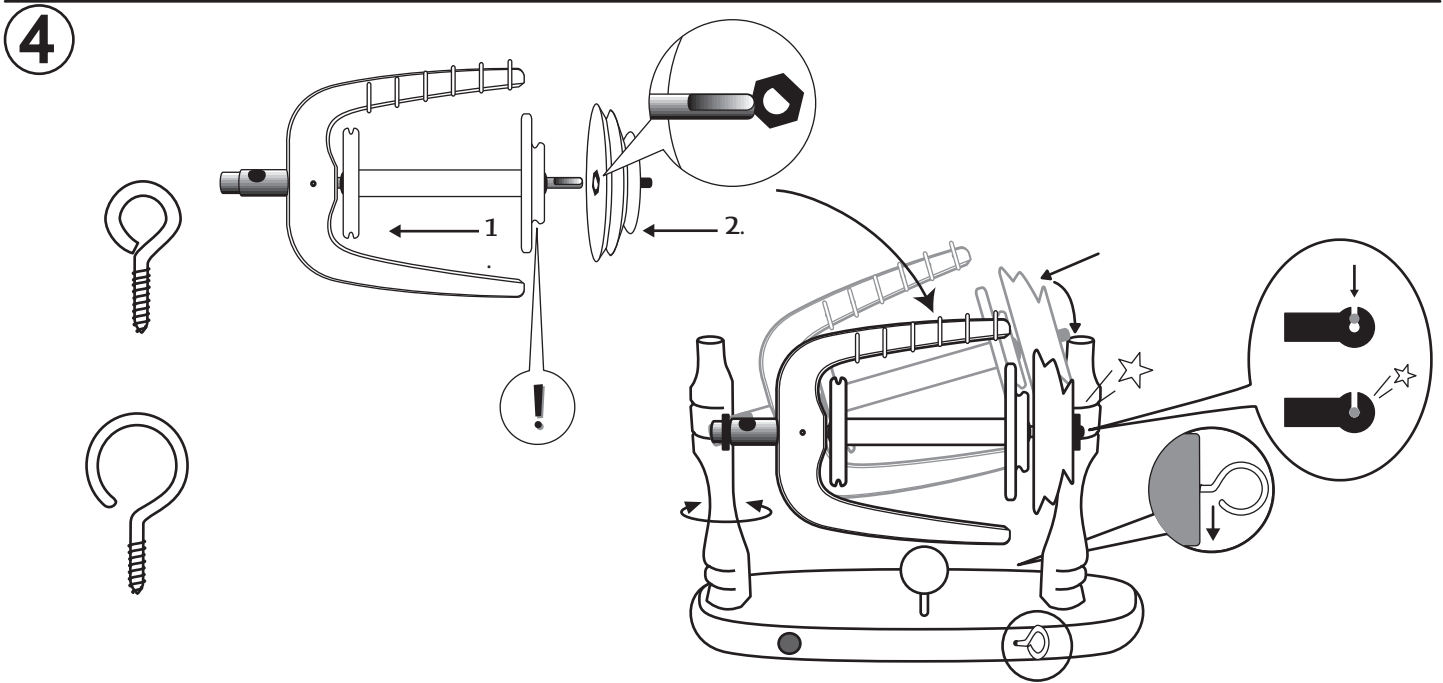
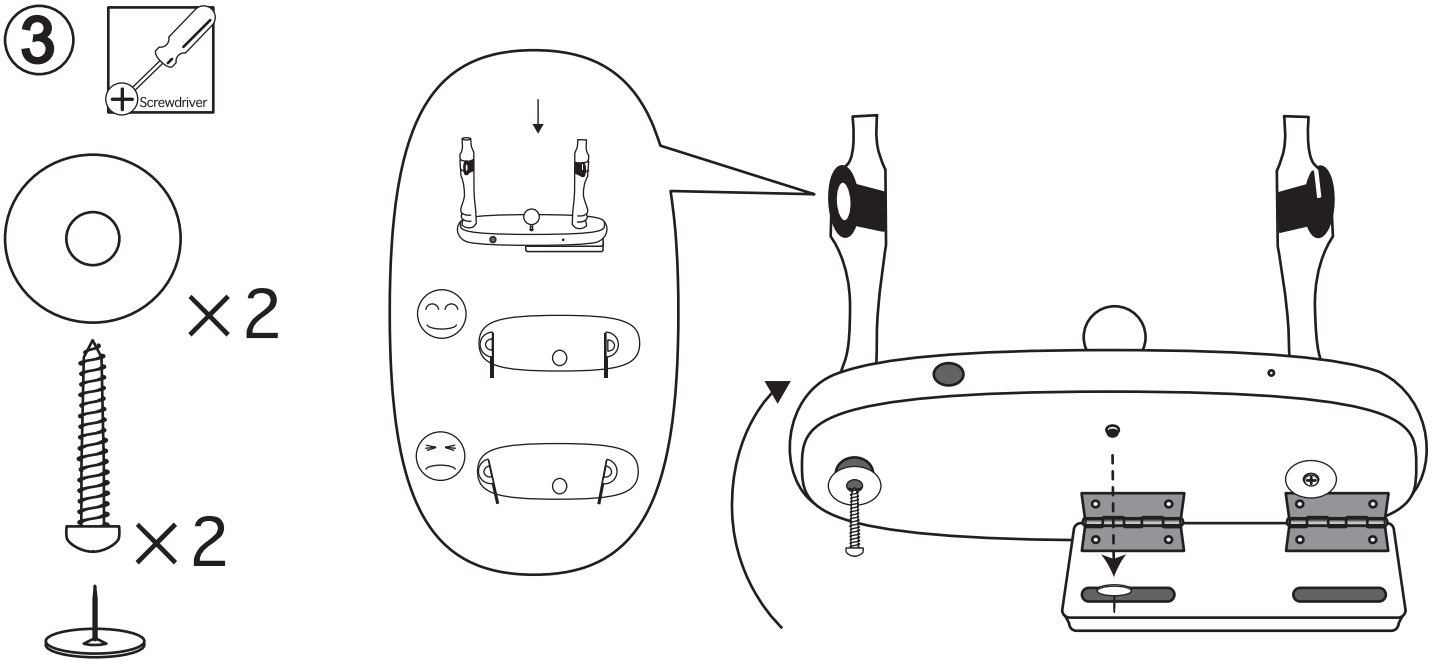
Tools Required:
Screwdriver (+)
Scissors
Candlewax.

1

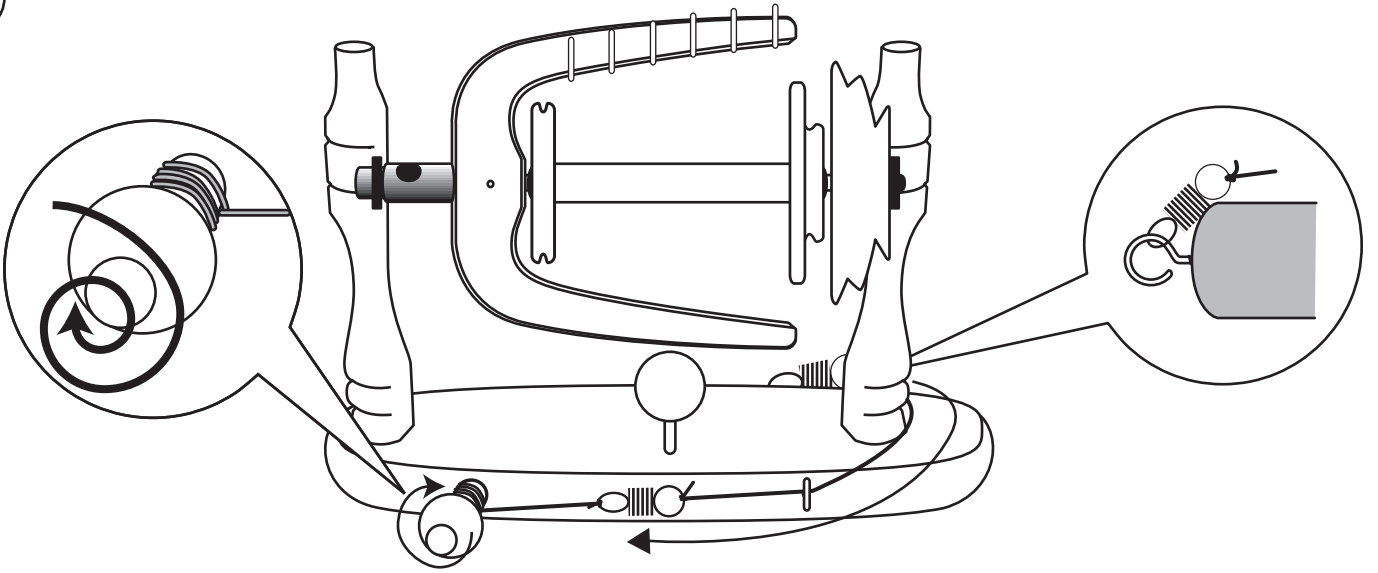


2

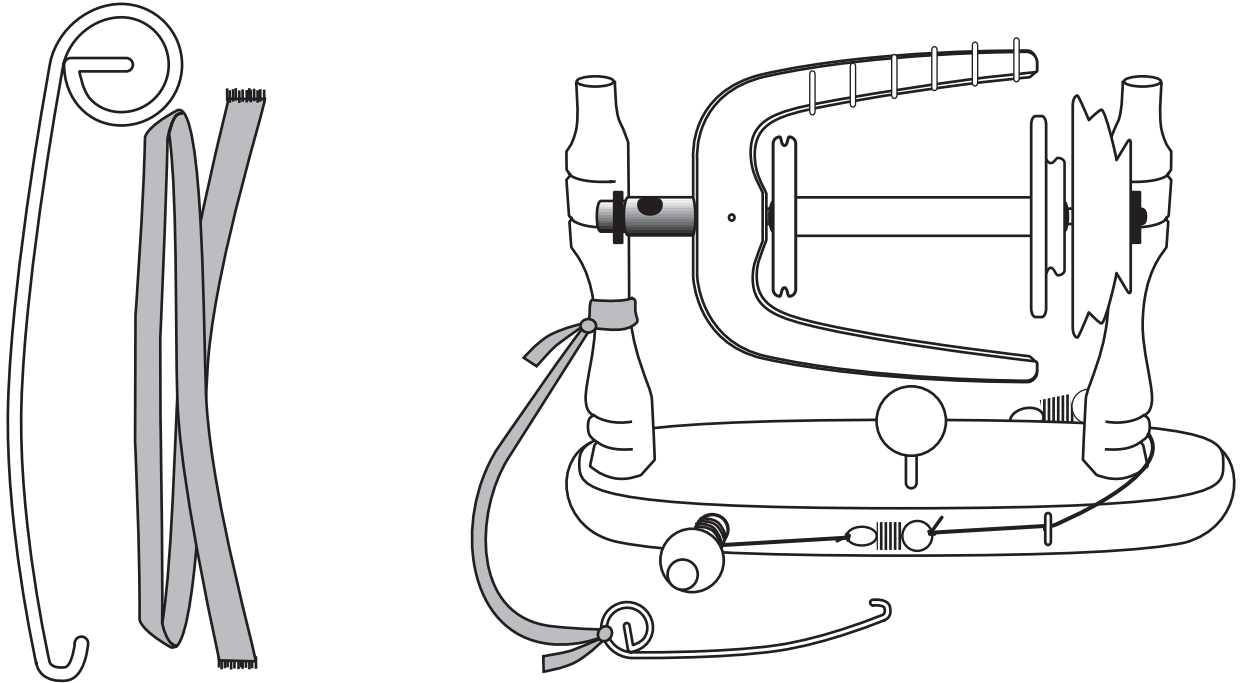




6

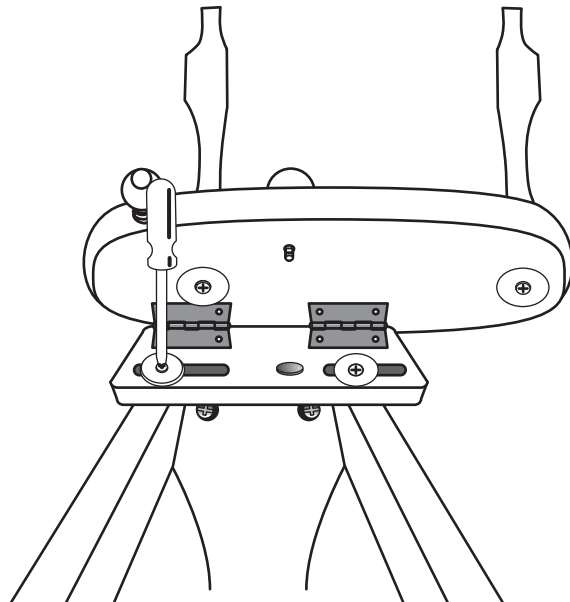


7

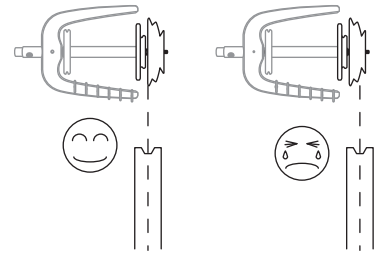
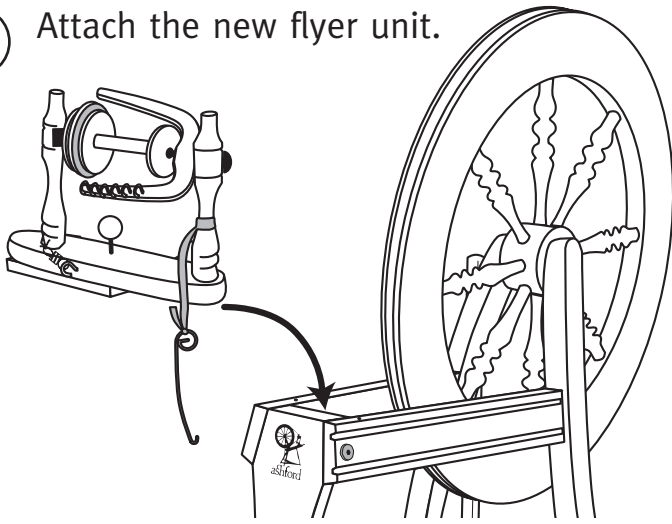


8

Remove the existing flyer unit from your wheel.

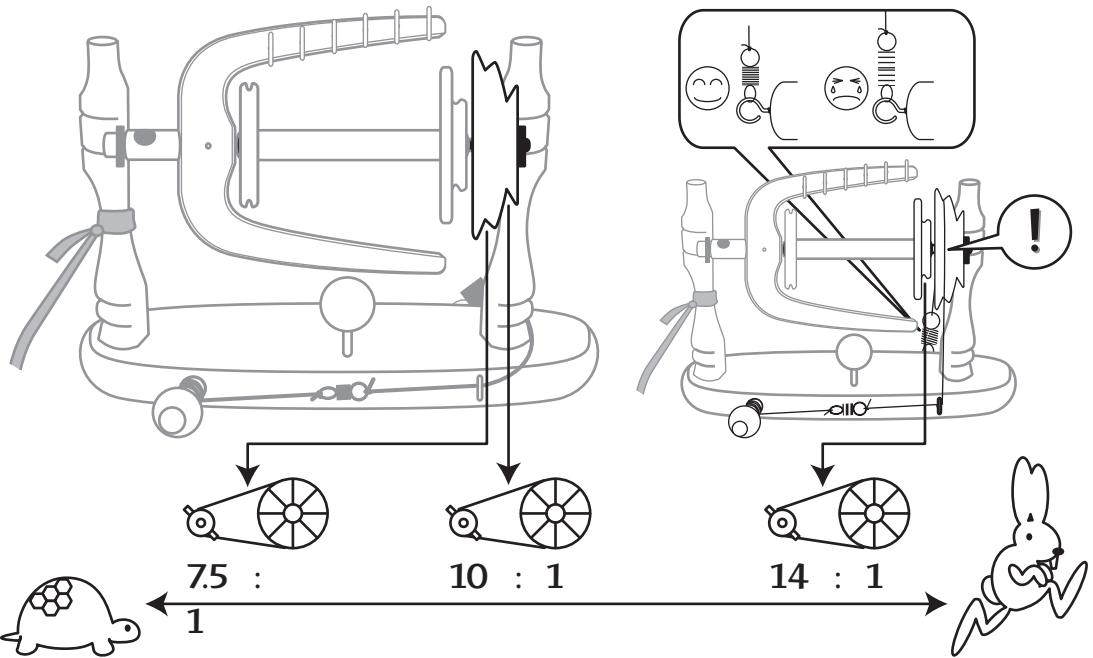


9 Attach the new flyer unit.

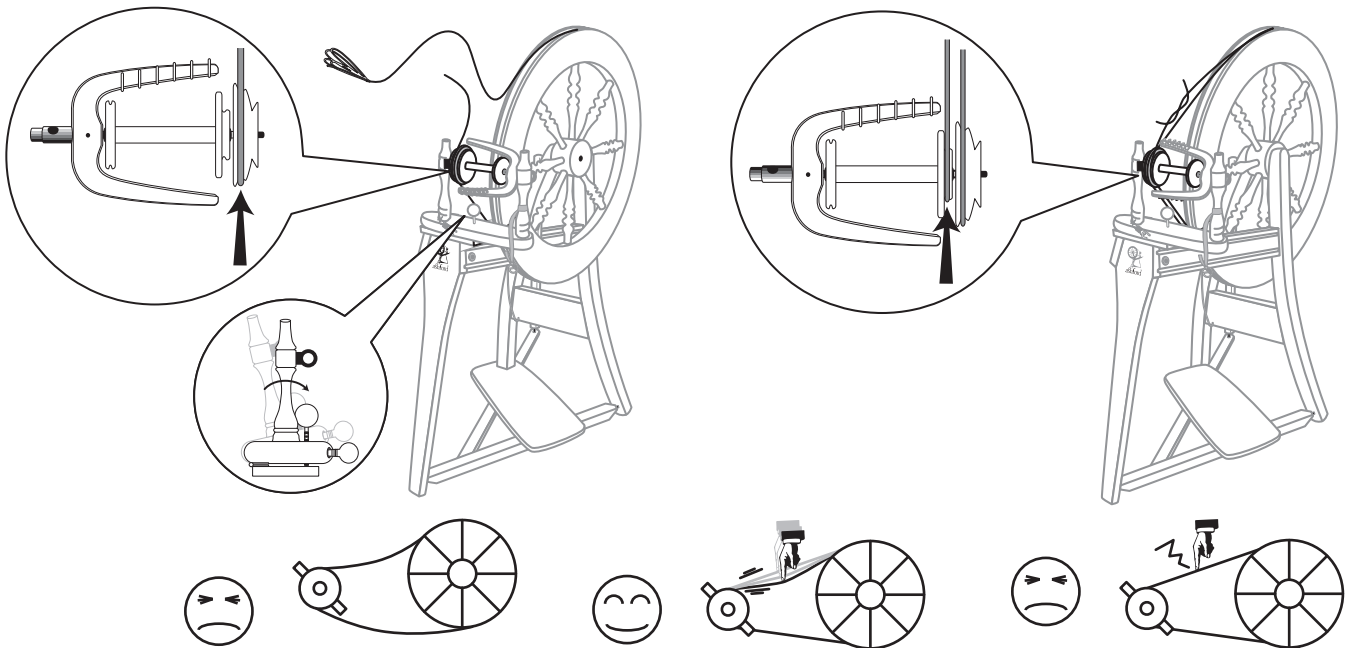


10

NOTE



11



DDFU09022012V2